

B C

Basic Pedestal



Self Priming Centrifugal Pump

Models 03C11-B and 03C31-B

Size 3" x 3"

PUMP SPECIFICATIONS

Size: 3" x 3" (76 mm x 76 mm) NPT - Female.

Casing: Ductile Iron No. 60-40-18.

Maximum Operating Pressure 75 psi (517 kPa).*

Enclosed Type, Five Vane Impeller: Brass 85-5-5-5.

Handles 7/16" (11,1 mm) Diameter Spherical Solids.

Impeller Shaft: (03C11-B) Stainless Steel No. 303/304.
(03C31-B) Carbon Steel No. 1045.

Replaceable Vane Plate: Gray Iron No. 30.

Pedestal: Gray Iron No. 30.

Seal Plate: Ductile Iron No. 60-40-18.

Radial and Thrust Bearings: Single Row Ball Type.

Bearing Lubrication: Grease.

Flanges: (03C11-B) Gray Iron No. 30.

(03C31-B) Ductile Iron No. 60-40-18.

Gaskets: (03C11-B) PTFE.

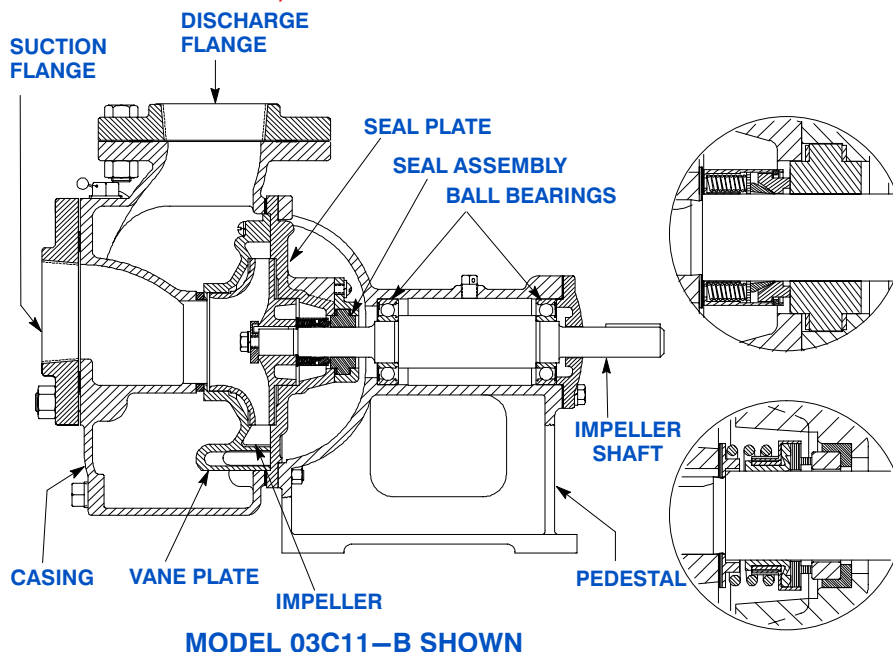
(03C31-B) Cork ^W/Nitrile Binder NC710.

Hardware: Standard Plated Steel.

Optional Equipment: All Iron Construction.



**Consult Factory for Applications Exceeding Maximum Pressure and/or Temperature Indicated.*



SEAL MODEL 03C11-B:

Type 9, Mechanical Self-Lubricated. Rotating Face is Carbon. Stationary Face is Ceramic. PTFE Elastomers. Stainless Steel No. 316 Cage and Spring. Maximum Temperature of Liquid Pumped, 160°F (71°C).*

SEAL MODEL 03C31-B:

Type 21, Mechanical. Self-Lubricated. Carbon Rotating Face. Ni-Resist Stationary Face. Fluorocarbon Elastomers (DuPont Viton® or Equivalent). Stainless Steel No. 18-8 Cage and Spring. Maximum Temperature of Liquid Pumped, 160°F (71°C).*



COURTESY OF
MASCOTT EQUIPMENT COMPANY
 Portland Seattle Tri-Cities
www.mascottec.com

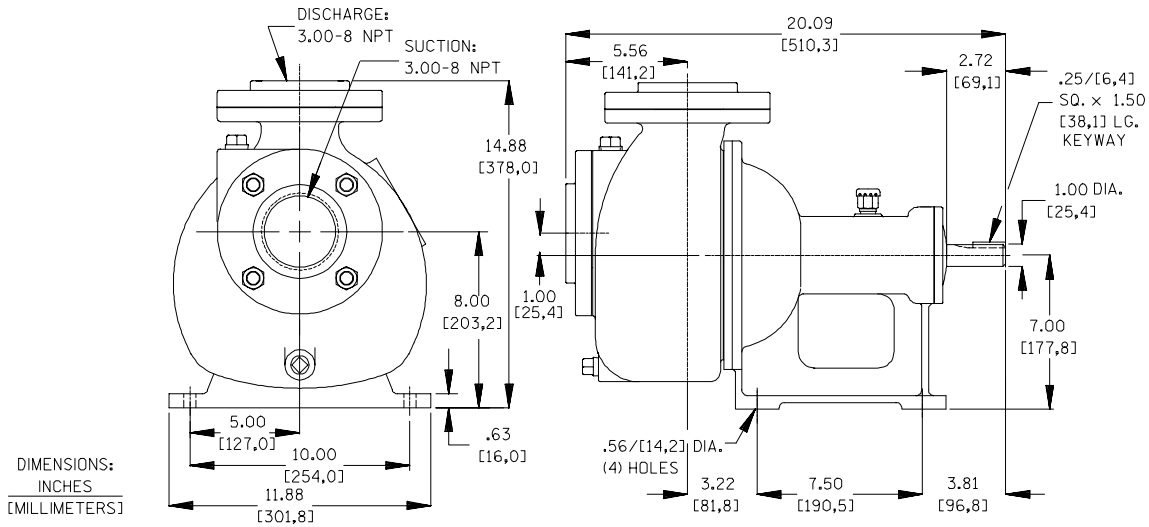
Printed in U.S.A.

Specification Data

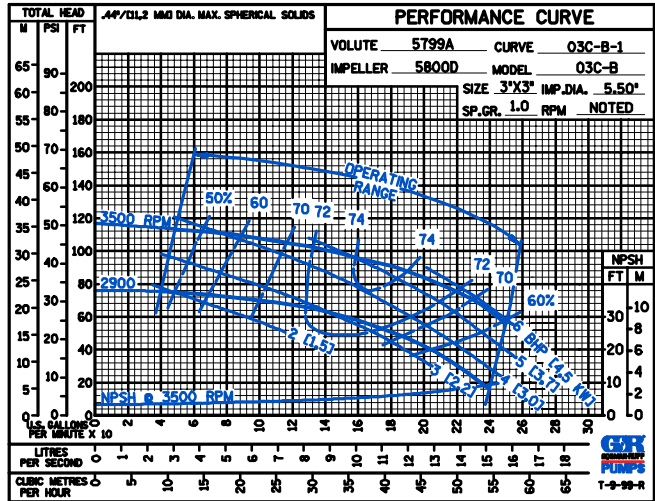
SECTION 30, PAGE 1300

APPROXIMATE
DIMENSIONS and WEIGHTS

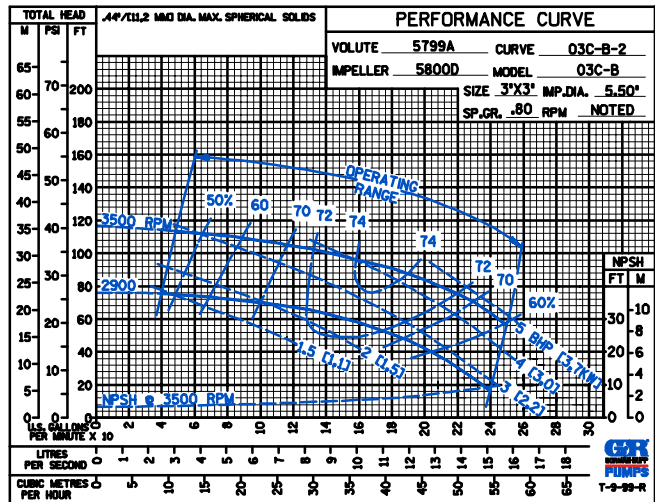
NET WEIGHT: 122 LBS. (55 KG.)
SHIPPING WEIGHT: 132 LBS. (60 KG.)
EXPORT CRATE: 3.6 CU. FT. (0,1 CU. M.)



PERFORMANCE
BASED ON
WATER



PERFORMANCE
BASED ON
PETROLEUM



Printed in U.S.A.