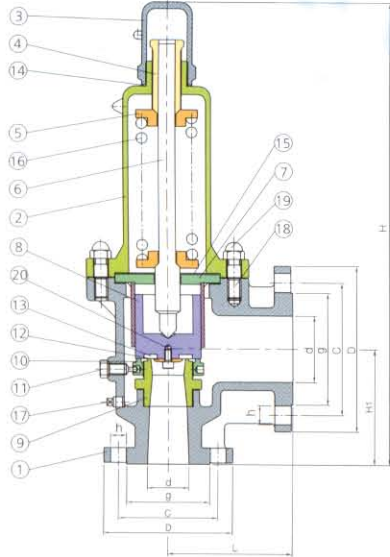


VAN AN TOÀN BỒN CHỨA LPG- STORAGE TANK SAFETY VALVE



■ Specification

- Design Pressure : 2,0 MPa
- Fluid : LPG, NG, NH₃ (별도 주문제작)

■ Material

No	Part Name	Material	No	Part Name	Material	No	Part Name	Material
1	Body	SCPH2	8	Valve Disk	SUS304	15	Gasket	Asbestos
2	Bonnet	SCPH2	9	Nozzle	SUS304	16	Spring	SWC
3	Cap	S25C	10	Lower Ring	SUS304	17	Plug	
4	Adjust Bolt	SUS304	11	Set Bolt	S25C	18	Stud Bolt	
5	Spring Holder	S25C	12	Washer	SUS304	19	Nut	
6	Spindle	S45C	13	Valve Sheet	P.T.F.E	20	Screw	SUS304
7	Guide	SUS304	14	Gasket	Asbestos			

■ Dimension

unit : mm

Model	d1	L	H	H1	Inlet Flange (KS 20K RF)							Outlet Flange (KS 20K RF)						
					d	D	C	g	t	f	n-h	d	D	C	g	t	f	n-h
25A	19	110	300	100	20	125	90	67	16	1	4-19	40	140	105	81	18	2	4-19
40A	30,5	140	500	120	40	140	105	81	18	2	4-19	65	175	140	116	20	2	8-19
50A	38	150	560	140	50	155	120	96	18	2	8-19	80	200	160	132	22	2	8-23
80A	61	180	720	155	80	200	160	132	22	2	8-23	100	225	185	160	24	2	8-25
100A	76	220	820	180	100	225	185	160	24	2	8-25	150	305	260	230	28	2	12-25